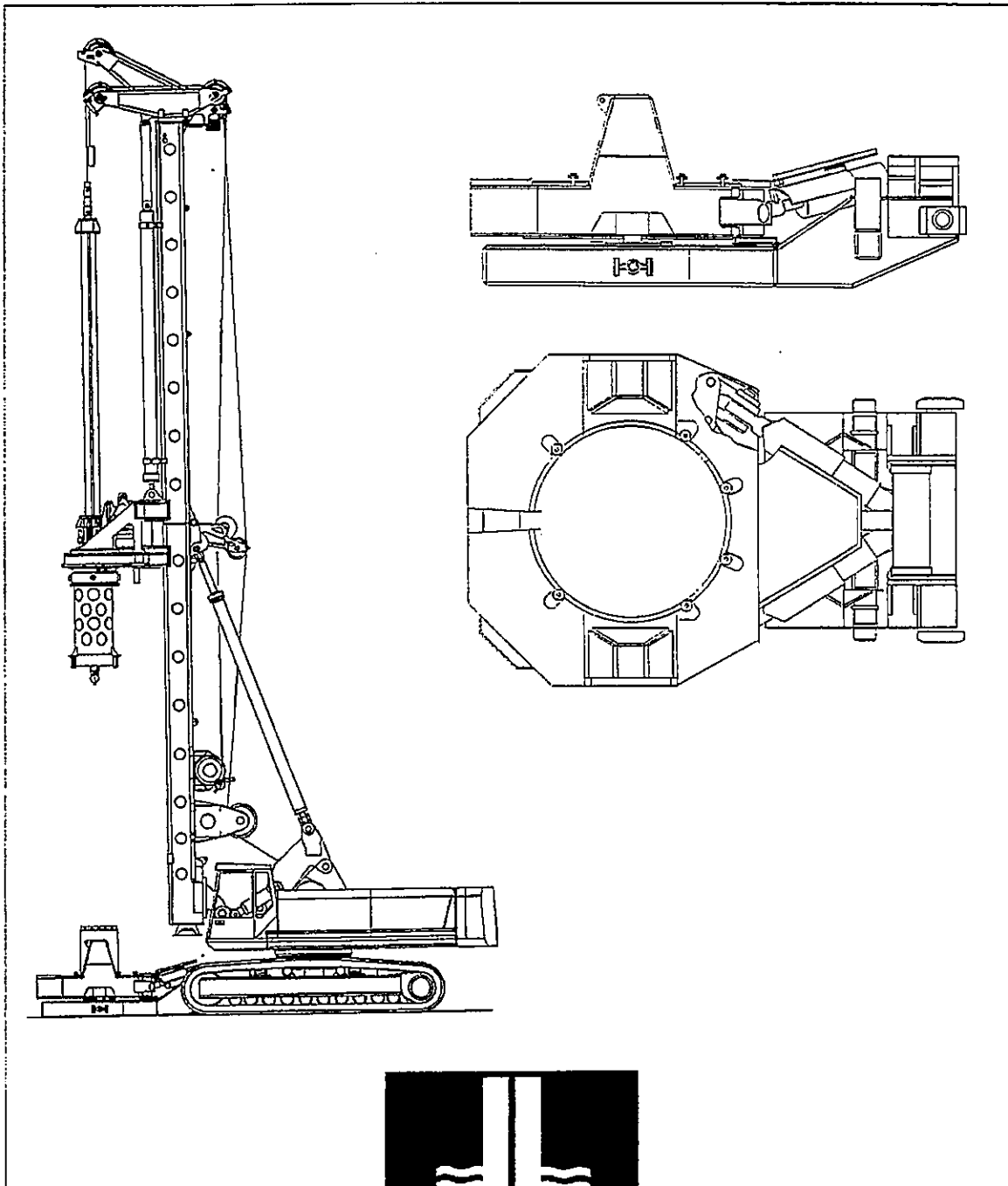
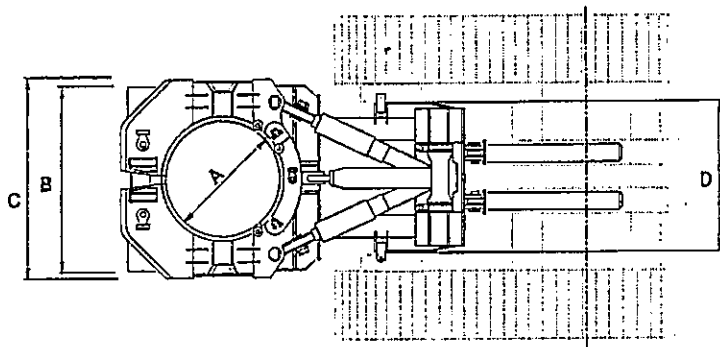
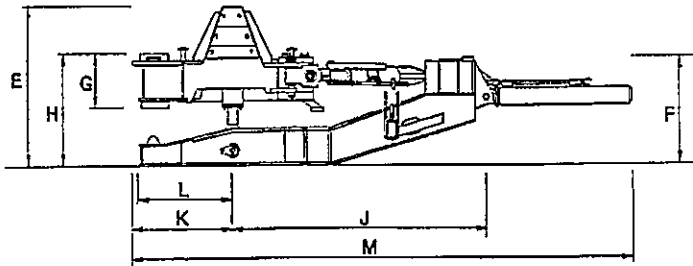


Casing Oscillators for Rotary Drilling Rigs

Innovation is a never ending process



BV 880/4 - BV 1000/4 - BV 1180/4



	BV		
	880/4	1000/4	1180/4
Inserts for casing diameters			
572 mm	○	○	-
620 mm	○	○	○
712 mm	○	○	-
750 mm	○	○	○
880 mm	-	○	○
1000 mm	-	-	○
1180 mm	-	-	-
suitable for:			
BG 7	○	○	○
BG 9	○	○	○
BG 9 C	○	○	-
BG 9 H	○	○	○
BG 15	-	-	x
BG 22 H	-	-	x

Remarks:

Mechanical or hydraulic modifications may be required for the base carrier.

other insert dimensions are available on request

x) connecting adapter required

○) direct connection to BG

-) not possible

			BV 880/4	BV 1000/4	BV 1180/4
		PartNo.	1.000.770	1.000.287	
A	max. casing diameter	mm	880	1.000	1.180
B	overall width (base frame)	mm	1.575	1.630	2.010
C	width at clamp level	mm	1.580	1.720	2.030
D	width on carrier side	mm	1.230	1.300	1.300
E	height	mm	1.160	1.130	1.480
F	height on carrier side	mm	860	860	980
G	clamp height	mm	340	340	400
H	height from ground to top of clamp	mm	785	755	850
J	length from pile axis to carrier connection	mm	2.270	2.180	2.275
K	length from pile axis to front of clamp	mm	790	890	1.000
L	length from pile axis to front of base frame	mm	750	850	980
M	total length	mm	3.120	3.130	3.375
	horizontal adjustment length	mm	550	550	530
	operating hydraulic pressure	bar	300	300	300
	torque	kNm	450	468	1.000
	lifting stroke	mm	400	400	500
	lifting force	kN	736	736	1.360
	clamping force	kN	528	528	700
	rotation angle	°	23	22	26
	casing rotation	mm	177	192	267
	weight (appr.)	kg	3.700	4.000	7.500

BV 1300/4 - BV 1500/4 - BV 1650/4

	BV		
	1300/4	1500/4	1650/4
Inserts for casing diameters			
670 mm	○	-	-
750 mm	○	-	-
880 mm	○	○	-
1000 mm	○	○	○
1180 mm	○	○	○
1300 mm	-	○	○
1500 mm	-	-	○
1650 mm	-	-	-
suitable for:			
BG 14	○	○	○
BG 15	x	x	-
BG 22	x	x	x
BG 22 S	x	x	x
BG 30	x	x	x
BG 40	x	x	x

Remarks:

Mechanical or hydraulic modifications may be required for the base carrier.

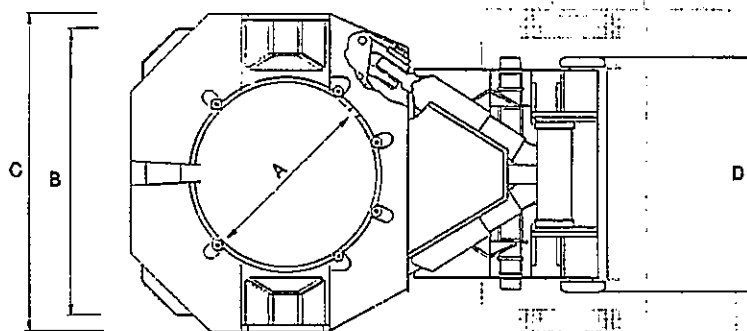
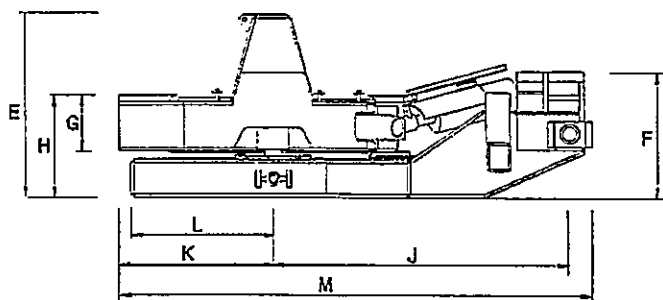
other insert dimensions are available on request

x) connection adapter required (especially for rigs with extendable undercarriage)

○) direct connection to BG

-) not possible

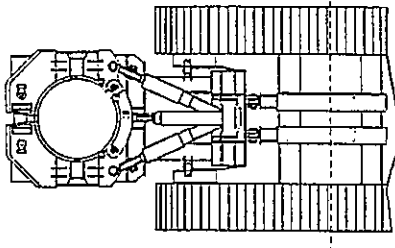
NOTE: BG 15 with fixed tracks only !



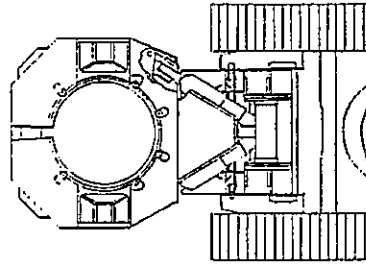
			BV 1300/4	BV 1500/4	BV 1650/4
		PartNo	1.000.176	1.000.162	1.000.158
A	max. casing diameter	mm	1.300	1.500	1.650
B	overall width (base frame)	mm	2.400	2.600	2.690
C	width at clamp level	mm	2.500	2.700	2.720
D	width on carrier side	mm	2.030	2.030	2.030
E	height	mm	1.540	1.540	1.540
F	height on carrier side	mm	995	995	995
G	clamp height	mm	400	400	400
H	height from ground to top of clamp	mm	860	860	860
J	length from pile axis to carrier connection	mm	2.600	2.600	2.600
K	length from pile axis to front of clamp	mm	1.250	1.350	1.380
L	length from pile axis to front of base frame	mm	1.150	1.250	1.295
M	total length	mm	4.000	4.100	4.145
	operating hydraulic pressure	bar	300	300	300
	torque	kNm	1.940	2.070	2.070
	lifting stroke	mm	540	540	540
	lifting force	kN	1.880	1.880	1.880
	clamping force	kN	900	900	900
	rotation angle	°	26	25	25
	casing rotation	mm	295	327	360
	weight (appr.)	kg	9.500	9.700	11.000

Connection to Base Carrier - Casing Inserts

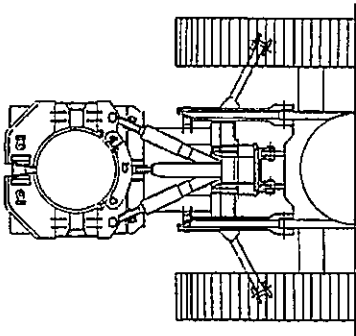
BV 880 - 1180
Fixed Tracks



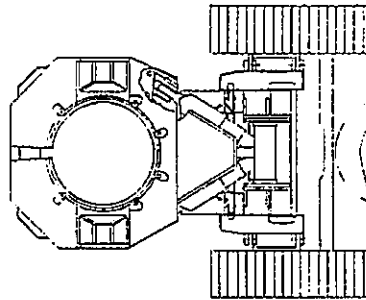
BV 1300 - 1650
Fixed Tracks



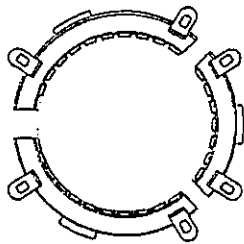
BV 1180
Telescopic Tracks
With Adapter



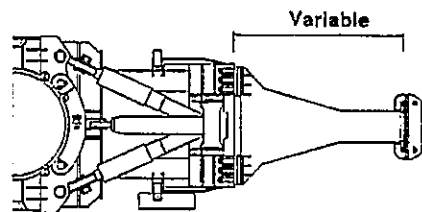
BV 1300 - 1650
Telescopic Tracks
With Adapter



Casing Inserts



Adapter
(for Connection to Crawler Crane)



Your dealer

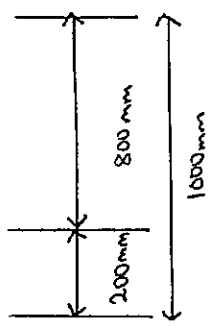
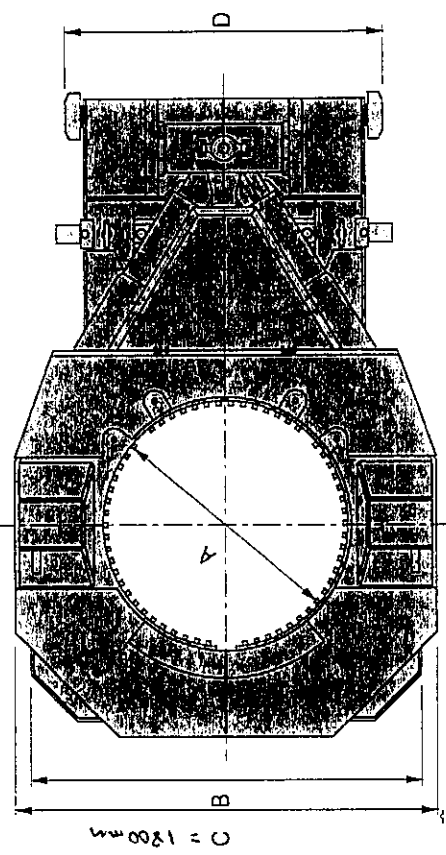
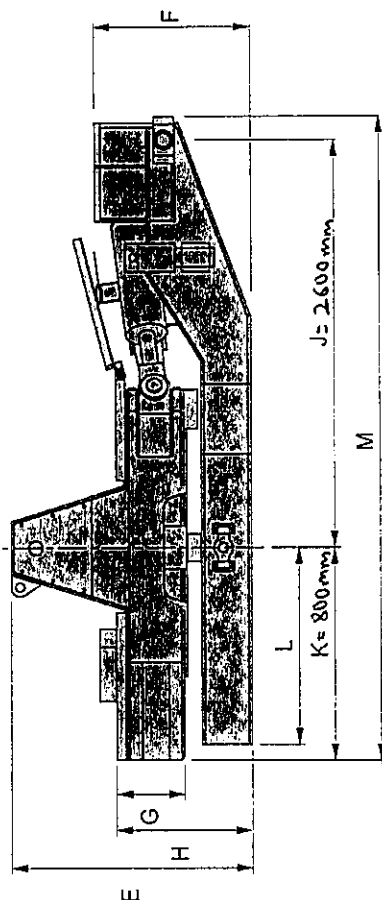


Bauer Spezialtiefbau GmbH
Wittelsbacherstraße 5
D - 86522 Schrobenhausen
Telefon (08252) 97-0
Fax (08252) 97-135

Technical specifications are subject to change without notice and incurring responsibility for machines previously sold. The shown machines may have special equipment. Technical data do not consider power losses.
Error and misprints reserved

905.519.2 6/94

OSCILLATOR DIMENSIONS - 900 mm casing



from centre of pile with 200mm working tolerance

Weight = 3.7 ton